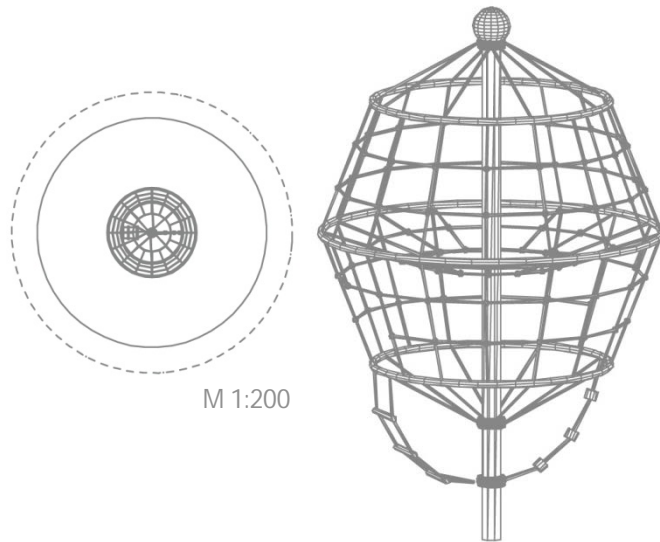


## Albero.02 – Product Specification



### HodgePodge – A variety of study and durable sport and play elements

HodgePodge is a clever and versatile combination of play equipment and climbing structures that can be used anywhere and for numerous activities.

Climbing trees, a Wasp's nest, Volleyball nets for sporting activities, cable rides for fun and excitement.

#### Albero.02 – At a glance.

Product Family:	<b>HodgePodge</b>	Number of Foundations:	<b>1 pc.</b>
Item Number:	<b>95.200.020</b>	Concrete Volume C20/C25:	<b>1,2 m<sup>3</sup> (42.4 ft<sup>3</sup>)</b>
Children's Age:	<b>5+</b>	Number of skilled installers required:	<b>2</b>
Fall Height (DIN EN 1176):	<b>3.00 m (9'-11")</b>	Installation Time without foundation:	<b>8 hours</b>
Length x Width x Height:	<b>2.4 m x 2.4 m x 3.7 m (7'-11" x 7'-11" x 11'-11")</b>	Dimensions of largest part:	<b>Ø 0.14 m x 5.2 m (Ø 5 ½" x 17'-1")</b>
Protective Surfacing Area (DIN EN 1176):	<b>7.4 m x 7.4 m</b>	Weight of heaviest part:	<b>105 kg (232 lbs)</b>
Protective Surfacing Area (ASTM 1487):	<b>6.1 m x 6.1 m (19'-9" x 19'-9")</b>	Shipping Volume:	<b>3 m<sup>3</sup> (106 ft<sup>3</sup>)</b>
Minimum space required DIN EN 1176:	<b>42.4 m<sup>2</sup></b>	Spare part guarantee:	<b>Lifelong</b>
Minimum space required ASTM 1487:	<b>28.3 m<sup>2</sup> (304.6 sf)</b>	Certificate according to EN 1176:	<b>No.: Z2.16.01.10256.257 TÜV Product Service</b>

### Technical Data.

The following text can also be used for tenders.

#### Central mast:

Steel pipes Ø 133mm (5 ¼"), wall thickness 6.3mm (1/4"); anticorrosion treatment and color finish: sandblasting and zinc-/ epoxy-/ polyester-process

#### Mast node:

Framework®-aluminum ball connector, Ø 250mm (9-13/16"); anticorrosion treatment and color finish: sandblasting and zinc-/ epoxy-/ polyester-process

#### Outer rings:

Bended Framework®-steel pipes, Ø 48,3 mm (1 7/8"); anticorrosion treatment and color finish: sandblasting and zinc-/ epoxy-/ polyester-process

#### Rope Ladder:

Rope Ø 16 mm (5/8"); black polyamide rungs: Ø 40 mm (1-3/5")

#### Climbing rope:

Rope Ø 16 mm; with durable ebonite cylinders; distance between cylinders approx. 300 mm (11-13/16"); ebonite cylinders are fixed to the rope with aluminum ferrules

#### Netting and suspension ropes:

U-Rope®-round strand ropes with steel cores, Ø 16mm (5/8") – unless otherwise noted: with galvanized wires, external strands covered with non-abrasive UV-resistant Polyester-yarn. Rope crossing points localized with durable, drop forged aluminum-ballknots (no plastic)

**Albero.02 – Product Specification**

